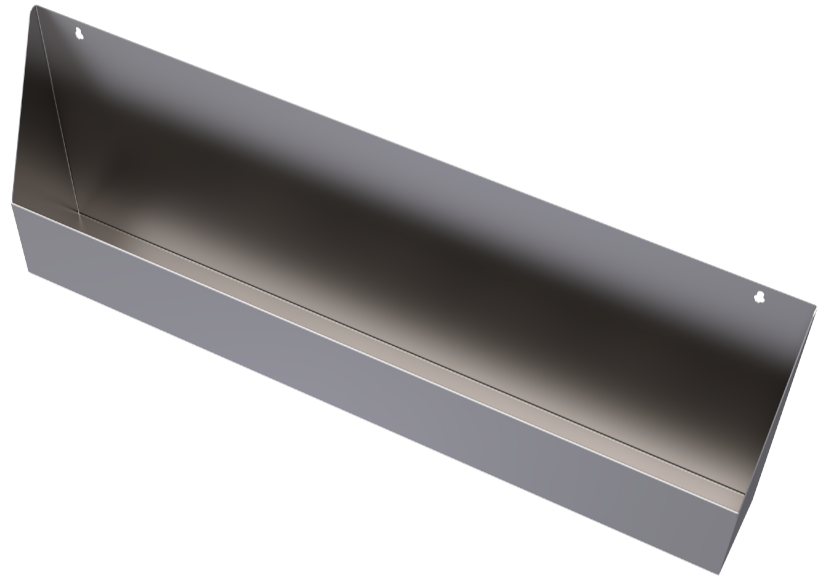
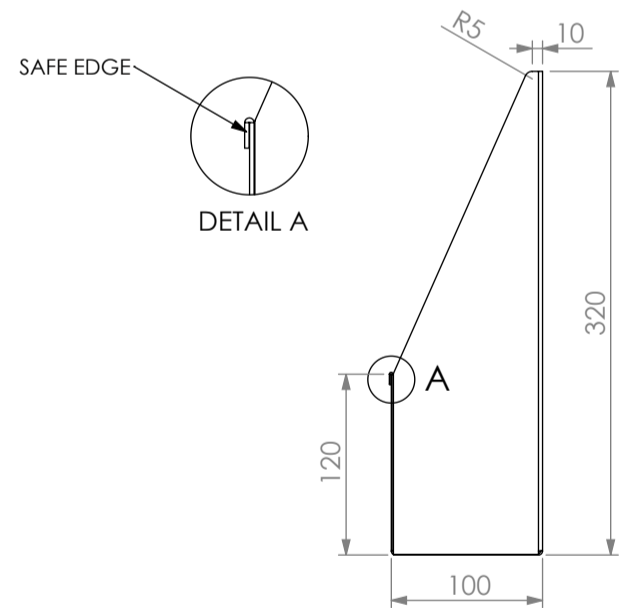


SBM-SR-0560



SBM-SR-0815

SPECIFICATION	
Material	- High Quality 1.2mm Gauge Stainless Steel.



SBM-SR	SPEED RACK	
	Product Code	Dimensions (mm)
	SBM-SR-0560	560x100x320
SBM-SR-0815	815x100x320	